

HQ-60 Plug-in MCB datasheet

Miniature Circuit Breaker, 120/240VAC, 10kA IR,

Standard plug-in type

Refer to UL489 standard

1 in.wide format for 1-pole



Product Model

H Q 2 60

Interrupting Rating
H = 10kAIC

Type : Q = 1" plug-in

Pole : 1:1 pole; 2:2 poles

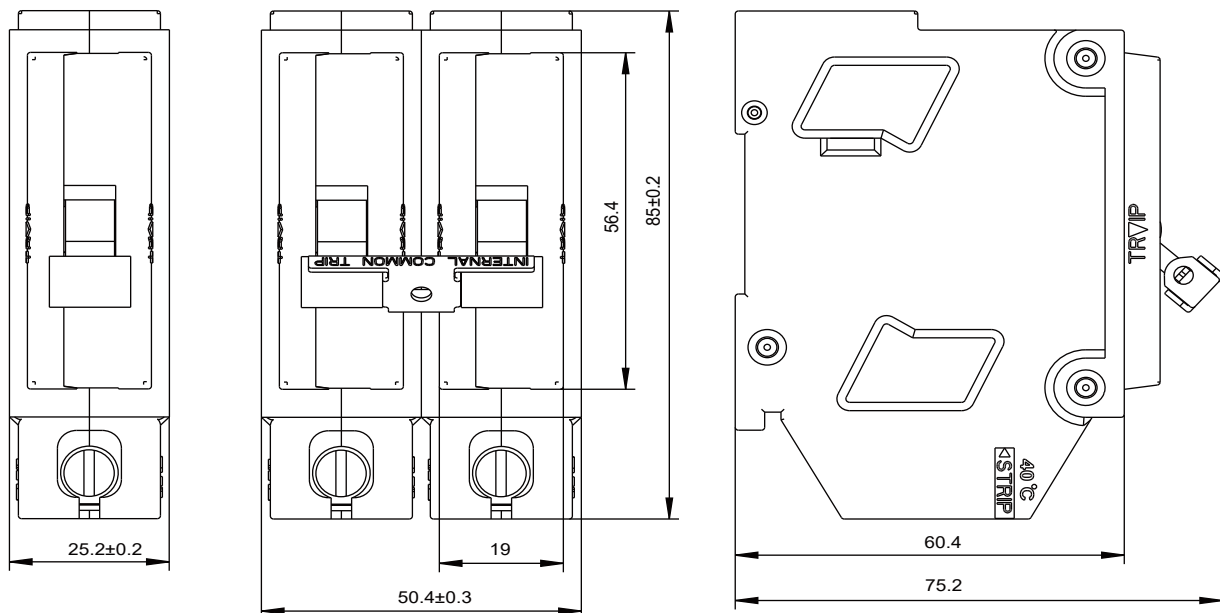
Ampere Rating(A): 5 , 10, 15, 20, 25, 30, 35, 40, 45, 50, 60

Product Number

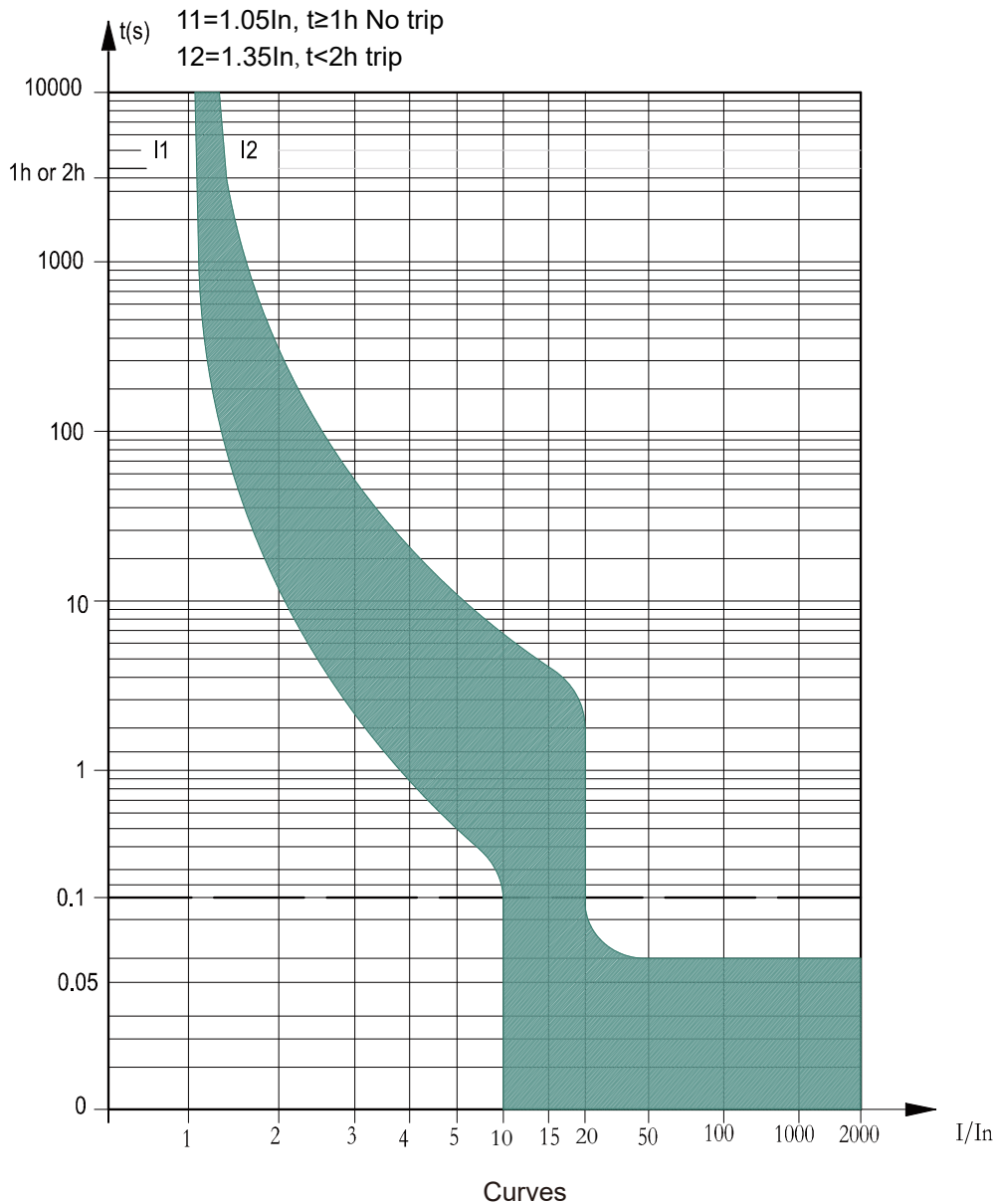
HQ		1 Pole		2 Poles	
Rated current	IR	Product	Part Number	Product	Part Number
5A	10kA	HQ105	225000160001	HQ205	225000170001
10A	10kA	HQ110	225000160002	HQ210	225000170002
15A	10kA	HQ115	225000160003	HQ215	225000170003
20A	10kA	HQ120	225000160004	HQ220	225000170004
25A	10kA	HQ125	225000160005	HQ225	225000170005
30A	10kA	HQ130	225000160006	HQ230	225000170006
35A	10kA	HQ135	225000160007	HQ235	225000170007
40A	10kA	HQ140	225000160008	HQ240	225000170008
45A	10kA	HQ145	225000160011	HQ245	225000170011
50A	10kA	HQ150	225000160009	HQ250	225000170009
60A	10kA	HQ160	225000160010	HQ260	225000170010

Characteristic Parameters:

Main	Product Technical Features
Product	LoveHome Miniature circuit-breaker
Range	LoveHome
Current Rating	5, 10, 15, 20, 25, 30, 35, 40, 45, 50, 60
Certifications	UL489
Voltage Rating	120/240 VAC
Mounting Type	Plug-in
Number of Poles	1P、 2P
Short Circuit Current Rating	10 kA
Circuit Breaker Type	Standard
Ratings	HACR and Switching Duty rated
Electrical Connection	Clamp terminal for 2 cables
Wire Size	AWG 14~4
Trip curve	10 ~20In
Overload tripping	1.05In t≥1h No trip, 1.35In t<2 h trip
Tightening torque	(3.5) 2.8...3.5 N.m
Height	2.98 in (75.50 mm)
Width	1 in (25~25.4 m)
Depth	3.18 in (80.8 mm)
Ambient Air Temperature for Operation	104 °F (40 °C)

Dimensions(mm)


AC TRIPPING CURVES



Precautions

- A. The wiring must be reliable to prevent the circuit breaker from malfunctioning due to abnormal heating of the terminal or causing the terminal to burn.
- B. The nut wiring specification of this product is 14-4AWG, and the tightening torque during installation is 31 lb-in (3.5 N. m)
- C. For multi-pole products, the handle should be operated in the middle position, and the time should be less than 1s when the product is normally opened and closed.
- D. 1-pole product weight: 0.17Kg, 2-pole product weight: 0.34Kg;
- E. Visual switch window, O/OFF, Show Green, Open, Uncharged; I/ON, Show red, Closed, Charged.
- F. Warranty policy: Product sales date starts to calculate, due to quality problems caused by product failure, non-human damage, etc., send back free replacement, warranty period of 24 months. Artificial damage, out of warranty, etc